



## SJ66 T TELESCOPIC BOOM

### STANDARD FEATURES

- EASYDRIVE™ Direction sensing drive and steer controls
- SKYCODED™ Colour coded and numbered wiring system
- Axle based 4WD
- Operator controlled locking rear differential and limited slip front differential
- Oscillating axle
- 50% Gradeability
- Drivable at full height
- Stage V Deutz TD2.2L Diesel engine
- Wet disc SAHR brakes (front and rear axle)
- Relay based control system
- Proportional controls
- Secondary guarding electrical (SGE)
- Overload sensing system
- Tilt alarm with drive cut-out
- 0.91 x 1.83 m Platform
- Modular platform railing system
- Lanyard attachment points
- Tri-entry sliding mid-rail
- Wiring for AC outlet on platform
- Swing out engine tray
- Swing up fiberglass cowlings
- Operator horn
- Hourmeter
- 360° Continuous turret rotation
- Tie down/lifting lugs
- 15 x 19.5 Grip lug foam-filled tyres

### ACCESSORIES AND OPTIONS

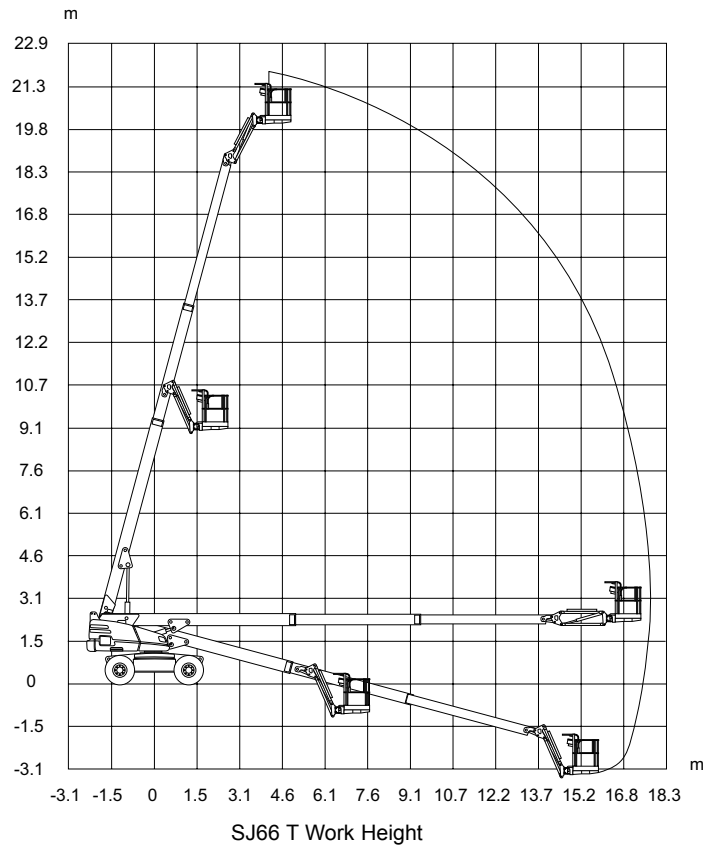
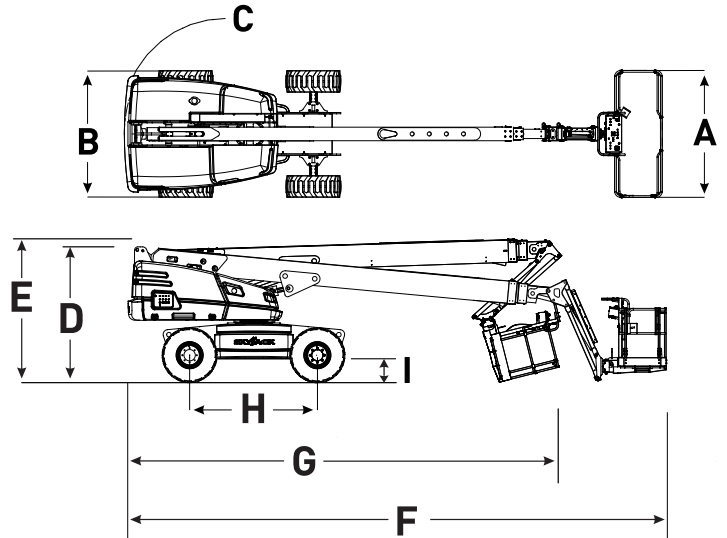
- Glazier kit
- Pipe rack
- Tool caddy
- Deutz D2011L04i Diesel engine (export only)
- Platform work lights
- Flashing light
- All motion alarm
- 0.91 x 2.44 m Platform
- Rear Gate
- Control box cover
- Auxiliary top rail (0.91 x 2.44 m platform only)
- 3.5 kW Generator (Includes hydraulic oil cooler)
- Hydraulic oil cooler
- Bio oil
- 1/2" Airline to platform
- Control box cover
- 385/65D19.5 Grip lug foam-filled non-marking tires
- ELEVATE telematics

† Standard lead times may be increased when optional equipment is added, consult factory.

‡ Capacities, and machine weights may differ when options are added.

# SJ66 T TELESCOPIC BOOM

Dimensions	SJ66T
Work Height	22.12 m
Platform Height	20.12 m
Horizontal Reach	17.37 m
Working Reach	18.02 m
<b>A</b> Platform Size	0.91 x 1.83 m
<b>B</b> Stowed Width	2.44 m
<b>C</b> Tailswing	1.19 m
<b>D</b> Stowed Height	2.57 m
<b>E</b> Transportation Height	3.30 m
<b>F</b> Stowed Length	10.34 m
<b>G</b> Transportation Length	8.13 m
<b>H</b> Wheelbase	2.44 m
<b>I</b> Ground Clearance	0.41 m
Specifications	SJ66T
Rotation	360° Continuous
Platform Rotation	170°
Jib Length	1.52 m
Jib Range +/-	+65° / -60°
Weight	12,800 kg
Gradeability	50%
Turning Radius (Inside)	2.82 m
Turning Radius (Outside)	5.05 m
Axle Oscillation	7.62 cm
Drive Speed (High speed)	7.2 km/h
Capacity	227 kg
Local Floor Load ( With Rated Load)	1,140 kPa
Overall Floor Load (With Rated Load)	17.8 kPa
Maximum # of Persons	2
Tyre Type	Grip lug foam-filled
Tyre Size	15 x 19.5
Diesel Engine	44.5kw (60hp)
Fuel Tank Capacity	170 L
Hydraulic Reservoir	227 L



## Skyjack UK

Unit 1, Maes-y-Clawdd  
Maesbury Road Industrial Estate  
Oswestry, Shropshire, SY10 8NN  
Tel: +44 1691 676235  
Fax: +44 1691 676239  
Email: info@skyjackeurope.co.uk

## Skyjack SAS (France)

74 Rue Sibert  
F-42400 Saint Chamond  
France  
Tel: +33 (0) 4 78 73 53 32  
Tel: +33 (0) 4 78 73 05 68  
Fax: +33 (0) 4 78 56 52 42

## Skyjack Hebebühnen GmbH (Germany)

Därmanbusch 2a  
D-58456 Witten  
Tel: +49 (0) 2302 20 26 909  
Fax: +49 (0) 2302 20 25 671

## Skyjack AB (Sweden)

Agnesbergsvägen 28  
424 38 Agnesberg  
Sweden  
Tel: +46 (0) 31 21 22 45  
Fax: +46 (0) 31 787 65 10

[www.skyjack.com](http://www.skyjack.com)