

Specifications

MODEL	TZ-50	
Measurements	US	Metric
Working height*	55 ft 6 in	17.09 m
Platform height	49 ft 6 in	15.09 m
Entry height	1 ft 8 in	.51 m
Horizontal reach	29 ft 2 in	8.89 m
Clear outreach	23 ft 1 in	7.04 m
Up and over clearance	22 ft	6.71 m
A Platform length	2 ft 2.8 in	.68 m
B Platform width	3 ft 8 in	1.12 m
C Height - stowed	6 ft 10 in	2 m
D Length - stowed	23 ft 6 in	7.16 m
E Width - stowed	5 ft 6 in	1.68 m
F Ground clearance - center	10 in	.25 m
G Length - outrigger footprint	14 ft 4 in	4.37 m
H Width - outrigger footprint	14 ft 4 in	4.37 m

Productivity

Lift capacity (ANSI, CSA) - standard	500 lbs	227 kg
Lift capacity (ANSI, CSA) - rotating platform	500 lbs	227 kg
Lift capacity (CE/AUS) - standard	440 lbs	200 kg
Lift capacity (CE/AUS) - rotating platform	440 lbs	200 kg
Jib boom	4 ft 1 in	1.25 m
Jib working range	135°	
Self leveling platform	2.5° standard	
Platform rotation option	160° hydraulic	
AC power to platform	standard	
Turntable rotation	359° non-continuous	
Outrigger leveling capability	10°	
Drive speed	0.85 mph	1.37 km/h
Gradeability**	20%	
Towing speed rate	60 mph	97 km/h
Tongue weight - ANSI, CSA	400 lbs	181 kg
Tongue weight - CE	220 lbs	100 kg
Surge and parking brakes	standard	
Controls	variable speed system	
Tires - ANSI, CSA	ST 225/75 R15	
Tires - CE	215 R14C	
Coupler	2 in (5.08 cm) hitch coupler standard	

Power

Power source - standard	24V DC (four 6V 225 Ah batteries)
Power source - drive option	24V DC (four 6V 244 Ah batteries)
Power source - option	Hybrid DC/Gas Honda 5.5 hp (4.1 kW)
Fuel tank capacity	.95 gal 3.6 L
Hydraulic tank capacity	4.75 gal 18 L
Hydraulic system capacity	8.0 gal 30 L

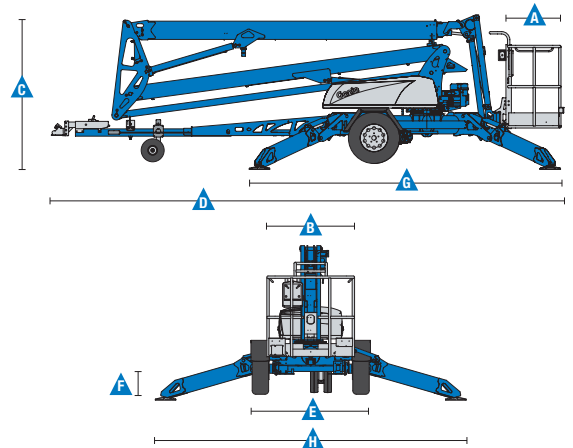
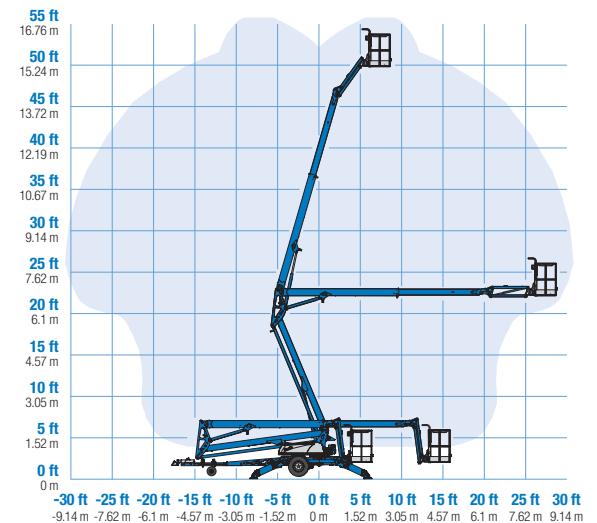
Weight***

ANSI, CSA, Australia	4,400 lbs	1,996 kg
CE	4,464 lbs	2,025 kg

Standards Compliance

ANSI A92.2, CSA C225, EN 280, AS 1418.10

Range Of Motion TZ-50



* The metric equivalent of working height adds 2 m to platform height. U.S. adds 6 ft to platform height.

** Gradeability applies to driving on slopes. See operator's manual for details regarding slope ratings.

*** Weight will vary depending on options and/or country standards.

Features

Standard Features	Configurations	Options & Accessories
<p>Measurements</p> <ul style="list-style-type: none"> • 55 ft 6 in (17.09 m) working height • 29 ft 2 in (8.89 m) horizontal reach • Up to 500 lbs (227 kg) lift capacity <p>Productivity</p> <ul style="list-style-type: none"> • Industry leading working envelope • Extension boom • Self-leveling platform • 4 ft jib with 135° working range • AC wiring to platform • Hydraulic outriggers • Automatic 10° leveling system • Outrigger interlocks • Mechanical parking brake • Hydraulic surge brakes • Auxiliary pump down • Adjustable hitch with coupler lever lock • Dual jockey wheels • 359° non-continuous turntable rotation • Easy to access batteries • Hour meter • Tilt alarm / sensor • Illuminated outrigger indicators <p>Power</p> <ul style="list-style-type: none"> • 24V DC power source (four 6V 225 Ah batteries) 	<p>Platform Options</p> <ul style="list-style-type: none"> • Aluminum 26.8 x 44 in (.68 x 1.12 m) • 160° hydraulic platform rotation • LED brake lights <p>Power Options</p> <ul style="list-style-type: none"> • 24V DC power source • Hybrid Honda 5.5 Hp (4.1 Kw) 45 amp charging system <p>Drive</p> <ul style="list-style-type: none"> • Drive and set option (ANSI, CSA, AUS) • Drive only (CE) <p>Coupler Options</p> <p>Adjustable hitch</p> <ul style="list-style-type: none"> - 2 in (5.08 cm) ball coupler - 2.31 in (5.87 cm) ball coupler - 2.5 in (6.53 cm) I.D. pintle ring coupler - Clevis coupler <p>Tire Options</p> <ul style="list-style-type: none"> • ST 225/75 R15 tires (ANSI, CSA) • 215 R14C tires (CE) 	<p>Productivity</p> <ul style="list-style-type: none"> • 160° hydraulic platform rotation • Drive and set option • Wheel chocks • Fluorescent tube caddy • Full size spare tire • Flashing beacon • Non-marking outrigger footpads • Battery charge indicator (BCI) • Tool tray • Bicycle guard (CE only) • Horn • Highway safety chains with snap hook • LED brake lights • High capacity battery • Ladder option <p>Power</p> <ul style="list-style-type: none"> • Hybrid Honda 5.5 Hp (4.1 Kw) 45 amp charging system option



Genie United States

18340 NE 76th Street
P.O. Box 97030
Redmond, Washington 98073-9730
Telephone +1 (425) 881-1800
Toll Free in USA/Canada +1 (800)-536-1800
Fax +1 (425) 883-3475

Genie Europe

The Maltings
Wharf Road
Grantham NG31 6BH
UK
Telephone +44 (0)1476 584333
Fax +44 (0)1476 584334
Email: AWP-InfoEurope@terex.com

Distributed By:

Effective Date: January, 2013. Product specifications and prices are subject to change without notice or obligation. The photographs and/or drawings in this document are for illustrative purposes only. Refer to the appropriate Operator's Manual for instructions on the proper use of this equipment. Failure to follow the appropriate Operator's Manual when using our equipment or to otherwise act irresponsibly may result in serious injury or death. The only warranty applicable to our equipment is the standard written warranty applicable to the particular product and sale and we make no other warranty, express or implied. Products and services listed may be trademarks, service marks or trade names of Terex Corporation and/or their subsidiaries in the USA and many other countries. Genie is a registered trademark of Terex South Dakota, Inc. © 2013 Terex Corporation.